

Suction Cups For Handling Plastic Films and Paper

Flat Suction Cups MXD

Suction area N (ϕ) 15mm to 40mm

TC-Grip

Flat Suction Cups MXD

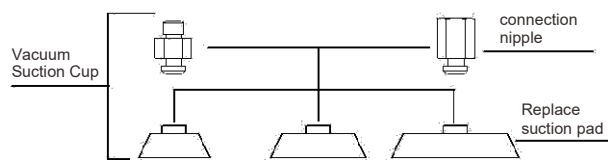


Introduction and application

- ◆ Round, flat suction cup for handling of wooden veneers, wafers and solar cells
- ◆ Handling of various packing material, e.g. plastic films, paper, blister packs
- ◆ Gentle handling of plastic films and paper

System design flat suction cups MXD

In the same series of nipple combinations, the replacement suction pad and the nipple can be combined as required.



Design

- ◆ Robust, wear-resistant suction cup MXD with single sealing lip, consisting of suction cup and connection nipple.
- ◆ Suction nipple is plug-in nipple.



Ordering Data Flat Suction Cups MXD

Item no.	Suction area ϕ [mm]	Material and Shore hardness	Connection thread
MXD	15 to 40	HT1-60 SI-50	M5-AG G1/8-AG G1/8-IG G1/4-AG G1/4-IG

Note: MXD AG=external thread (M) IG=internal thread (F)

Suction Cups For Handling Plastic Films and Paper

Flat Suction Cups MXD

Suction area N (ϕ) 15mm to 40mm



Ordering Data Flat Suction Cups MXD

Type	Suction cup material*/Hardness in Shore	
	High-temperature material HT1 60±5shA	Silicone rubber SI 55±5shA
MXD 15 M5-AG	90.02.01.00455	90.02.01.00491
MXD 15 G1/8-AG	90.02.01.00456	90.02.01.00492
MXD 15 G1/8-IG	90.02.01.00457	90.02.01.00493
MXD 20 M5-AG	90.02.01.00458	90.02.01.00494
MXD 20 G1/8-AG	90.02.01.00459	90.02.01.00495
MXD 20 G1/8-IG	90.02.01.00460	90.02.01.00496
MXD 24 M5-AG	90.02.01.00461	90.02.01.00497
MXD 24 G1/8-AG	90.02.01.00462	90.02.01.00498
MXD 24 G1/8-IG	90.02.01.00463	90.02.01.00499
MXD 30 G1/4-AG	90.02.01.00464	90.02.01.00500
MXD 30 G1/4-IG	90.02.01.00465	90.02.01.00501
MXD 34 G1/4-AG	90.02.01.00466	90.02.01.00502
MXD 34 G1/4-IG	90.02.01.00467	90.02.01.00503
MXD 40G1/8-AG	90.02.01.00470	90.02.01.00506
MXD 40G1/4-AG	90.02.01.00471	90.02.01.00507
MXD 40G1/4-IG	90.02.01.00472	90.02.01.00508

Ordering Data Spare Parts Flat Suction Cups MXD

Type	Suction cup material*/Hardness in Shore		Type	Connecting nipples	
	High-temperature material HT1 60±5shA	Silicone rubber SI 55±5shA		Type	Connecting nipples
MXD 15	90.02.03.00439	90.02.03.00453	MXD 15 M5-AG	S016 M5-AG	90.02.04.00017
MXD 20	90.02.03.00440	90.02.03.00454	MXD 15 G1/8-AG	S016 G1/8-AG	90.02.04.00018
MXD 24	90.02.03.00441	90.02.03.00455	MXD 15 G1/8-IG	S016 G1/8-IG	90.02.04.00021
MXD 30	90.02.03.00442	90.02.03.00456	MXD 20 M5-AG	S016 M5-AG	90.02.04.00017
MXD 34	90.02.03.00443	90.02.03.00457	MXD 20 G1/8-AG	S016 G1/8-AG	90.02.04.00018
MXD 40	90.02.03.00445	90.02.03.00459	MXD 20 G1/8-IG	S016 G1/8-IG	90.02.04.00021
			MXD 24 M5-AG	S016 M5-AG	90.02.04.00017
			MXD 24 G1/8-AG	S016 G1/8-AG	90.02.04.00018
			MXD 24 G1/8-IG	S016 G1/8-IG	90.02.04.00021
			MXD 30 G1/4-AG	S033 G1/4-AG	90.02.04.00031
			MXD 30 G1/4-IG	S033 G1/4-IG	90.02.04.00032
			MXD 34 G1/4-AG	S033 G1/4-AG	90.02.04.00031
			MXD 34 G1/4-IG	S033 G1/4-IG	90.02.04.00032
			MXD 40G1/8-AG	S035 G1/8-AG	90.02.04.00035
			MXD 40G1/4-AG	S035 G1/4-AG	90.02.04.00036
			MXD 40G1/4-IG	S035 G1/4-IG	90.02.04.00037

Suction Cups For Handling Plastic Films and Paper

Flat Suction Cups MXD

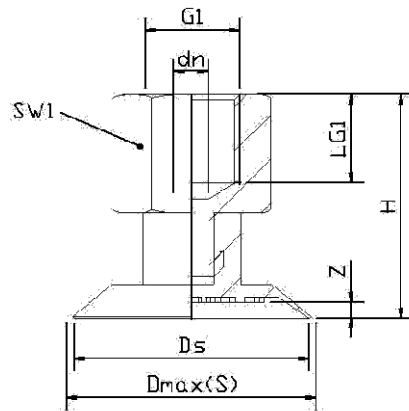
Suction area N (ϕ) 15mm to 40mm

TC-Grip

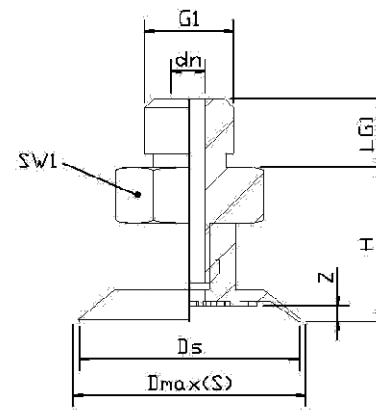


Design Data Flat Suction Cups MXD

MXD 15 to 40 IG



MXD 15 to 40 AG



Type	Dimensions[mm]							
	dn	Ds	G1	H	LG1	SW1	Z(Stroke)	
MXD 15 M5-AG	2.5	14.5	M5-M	15.0	5.0	7	0.9	
MXD 15 G1/8-AG	3.5	14.5	G1/8"-M	16.0	7.5	14	0.9	
MXD 15 G1/8-IG	3.5	14.5	G1/8"-F	22.0	8.0	14	0.9	
MXD 20 M5-AG	2.5	20.9	M5-M	15.4	5.0	7	1.5	
MXD 20 G1/8-AG	3.5	20.9	G1/8"-M	16.4	7.5	14	1.5	
MXD 20 G1/8-IG	3.5	20.9	G1/8"-F	22.4	8.0	14	1.5	
MXD 24 M5-AG	2.5	24.4	M5-M	15.8	5.0	7	1.7	
MXD 24 G1/8-AG	3.5	24.4	G1/8"-M	16.8	7.5	14	1.7	
MXD 24 G1/8-IG	3.5	24.4	G1/8"-F	22.8	8.0	14	1.7	
MXD 30 G1/4-AG	5.5	30.6	G1/4"-M	27.2	10.0	17	2.0	
MXD 30 G1/4-IG	5.5	30.6	G1/4"-F	37.2	12.0	17	2.0	
MXD 34 G1/4-AG	5.5	34.5	G1/4"-M	28.0	10.0	17	1.4	
MXD 34 G1/4-IG	5.5	34.5	G1/4"-F	38.0	12.0	17	1.4	
MXD 40G1/8-AG	5.0	40.5	G1/8"-M	25.6	9.0	17	2.3	
MXD 40G1/4-AG	5.5	40.5	G1/4"-M	25.6	10.0	17	2.3	
MXD 40G1/4-AG	5.5	40.5	G1/4"-F	35.6	12.0	17	2.3	

Suction Cups For Handling Plastic Films and Paper

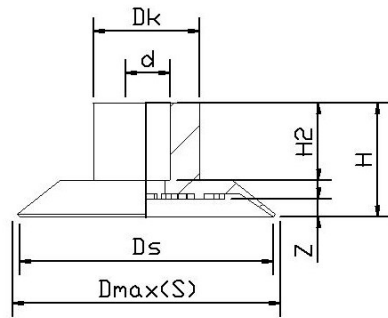
Flat Suction Cups MXD

Suction area N (ϕ) 15mm to 40mm

TC-Grip

Design Data Spare Parts Flat Suction Cups MXD

MXD 15 to 40



Type	Dimensions[mm]						
	d	d2	DK	Ds	H	H2	Z(Stroke)
MXD 15	4.5	3.5	9.0	14.5	10.0	7.2	0.9
MXD 20	4.5	3.5	10.5	20.9	10.4	7.1	1.5
MXD 24	4.5	3.5	10.0	24.4	10.8	7.3	1.7
MXD 30	11.2	6.6	15.6	30.6	22.2	15.7	2.0
MXD 34	11.2	5.8	14.8	34.5	23.0	16.8	1.4
MXD 40	8.0	5.0	16.0	40.5	20.6	14.5	2.3

Technical Data Flat Suction Cups MXD

Type	Suction force	Volume	Recom.internal hose diameter	Connecting part
	[N]	[cm ³]	d[mm]	
MXD 15	5.5	0.12	2	S016
MXD 20	8.5	0.31	2	S016
MXD 24	11.0	0.70	4	S016
MXD 30	19.0	1.50	4	S033
MXD 34	25.0	2.10	4	S033
MXD 40	33.0	2.90	4	S035